

EASYTUBE™

CATALOGUE 2023 | 2024 



PER 



PEK3 EASYTUBE™ offers a range of modular components that enables you to design and build a variety of versatile structures to aid storage, assembly, manufacturing another operations. Our pipe and joint system provides individual solutions for flowracks, trolleys, kitting systems, packing and working stations and various other applications.

EASYTUBE™ pipe and joint system is a multifunctional aid to concept engineering, allowing continuous and cost-effective improvement to your designs.

Available in standard and custom colour finishing, the pipes and joints allow speedy realization of creative solutions for assembly lines, warehouses, logistics operations, offices, laboratories, schools, hospitals, D.I.Y. stores, garden centres – in fact, almost everywhere!

PEK3, the **PEK3 LOGO** and **EASYTUBE** are registered trade marks and may only be used with the permission of PEK3 GmbH.

SALES & SERVICE OFFICES

OFFICE GERMANY

PEK3 GmbH
Hans-Urmiller-Ring 24
DE-82515 Wolfratshausen
Tel. +49 8171 4222-0
Fax +49 8171 4222-24
easytube.de@pek3.com

OFFICE HUNGARY

PEK3 ELECTRONIC Kft.
Gyömrői út. 150
HU-1103 Budapest
Tel. +36 1 4332585
Fax +36 1 4332594
easytube.hu@pek3.com

OFFICE MOROCCO

PEK3 SARL
Ilôt 14, Lot n°1 Zone Franche
d'Exportation Tanger
MA-90000 Tanger
Tel. +212 539 392769
easytube.ma@pek3.com

SALES OFFICE AND ASSEMBLY POLAND

PEK3 GmbH
Plonow 21 street
PL-41-200 Sosnowiec
Tel. +48 600 450 969
easytube.pl@pek3.com

EASYTUBE™

CONTENTS

PIPES	4
METAL JOINTS	9
JOINT COMBINATIONS	14
PIPE PROTECTORS	23
ROLLER TRACKS	26
ROLLER TRACK GUIDES	29
MOUNTING BRACKETS	32
SQUARE FRAMES	40
MONORAILS	42
METAL ACCESSORIES	43
PLASTIC ACCESSORIES	48
PLASTIC PROFILES	51
WHEELS & CASTORS	54
FEET	58
CAPS & BUSHINGS	59
FASTENERS	60
CUSTOMISING	64
HEIGHT ADJUSTMENT	67
ENERGY	69
HARDWARE TOOLS	71
SOFTWARE TOOLS	74

© PEK3 GmbH

Reproduction, distribution, republication and/or retransmission are prohibited unless the prior written permission of PEK3 GmbH has been obtained.

EASYTUBE™

PIPES

The flexibility of the system stems from the use of round pipe rather than square profile. Different wall thickness, different colours and different types of pipe are available to enhance this flexibility. The quality and type of steel we use ensures strength and flexibility.

CODING SYSTEM FOR ALL TYPES OF PIPES

Type of pipe and outer diameter 28 mm – code **28**



XX-2810-XX

Wall thickness (steel) 1 mm, 1.2 mm or 2.0 mm
– code **10, 12** or **20**

Coating colour code
(listed in standard colours of coating
or colours of powder coating)

PLASTIC COATED PIPE

Example of coding plastic pipes: **CP-2810-WH**

PLASTIC
COATED PIPE



CP

OUTER
DIAMETER



28

WALL THICKNESS
(STEEL)



10 – 1.0 mm

20 – 2.0 mm

STANDARD
COLOURS



WH  White

IV  Ivory

DB  Dark Blue

DG  Dark Grey

SPECIAL COLOURS

LG  Light Grey

RE  Red

YE  Yellow

GR  Green

Steel pipe >>>



<<< Coating

ECP (only ESD version)









28


10 – 1.0 mm

EB  Black

POWDER COATED PIPE




Example of coding powder coated pipe: **PP-2812-WH**


POWDER COATED PIPE	OUTER DIAMETER	WALL THICKNESS	STANDARD COLOURS
 PP	 28	 12 – 1.2 mm	 WH  White IV  Ivory DB  Dark Blue DG  Dark Grey

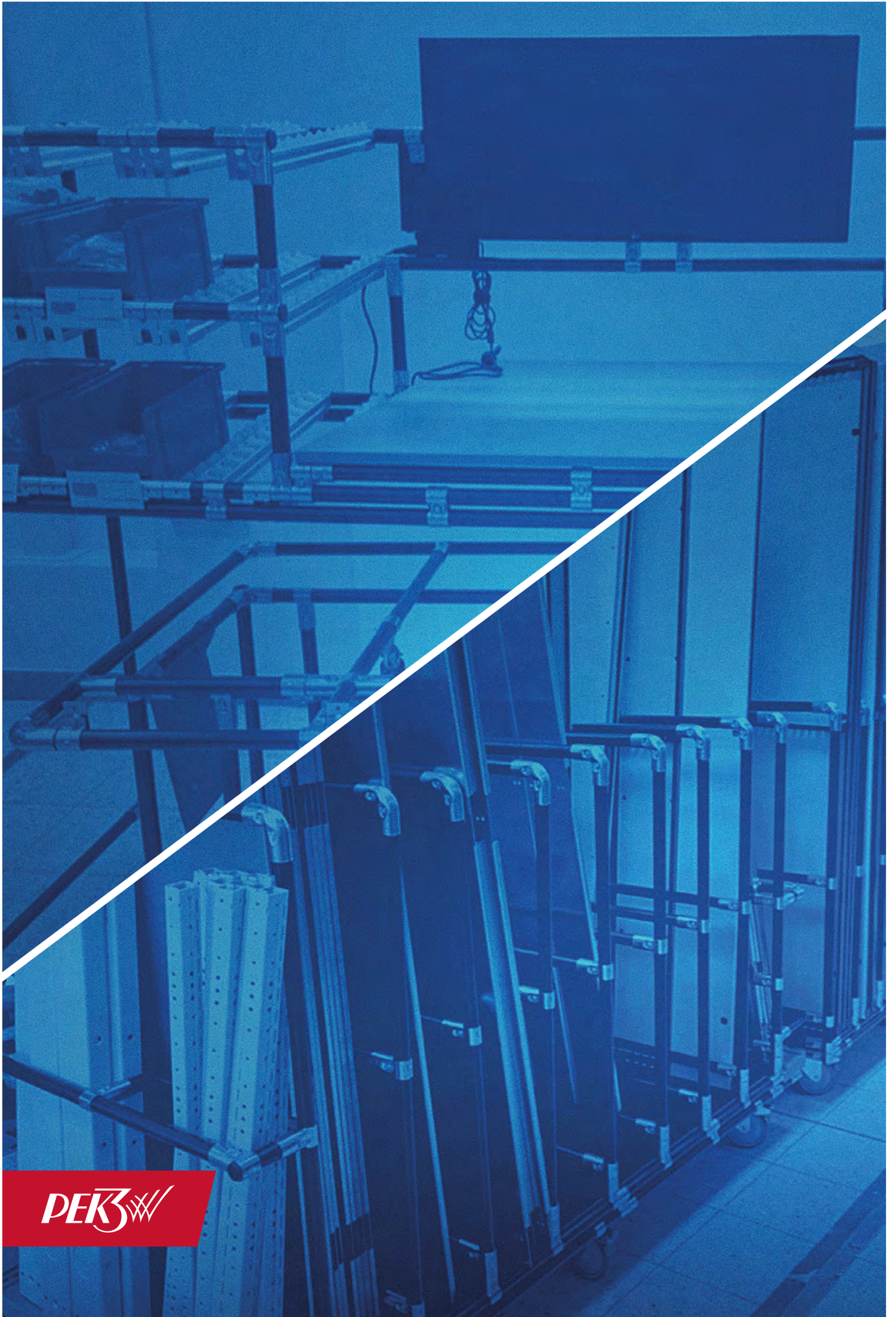


STAINLESS STEEL PIPE

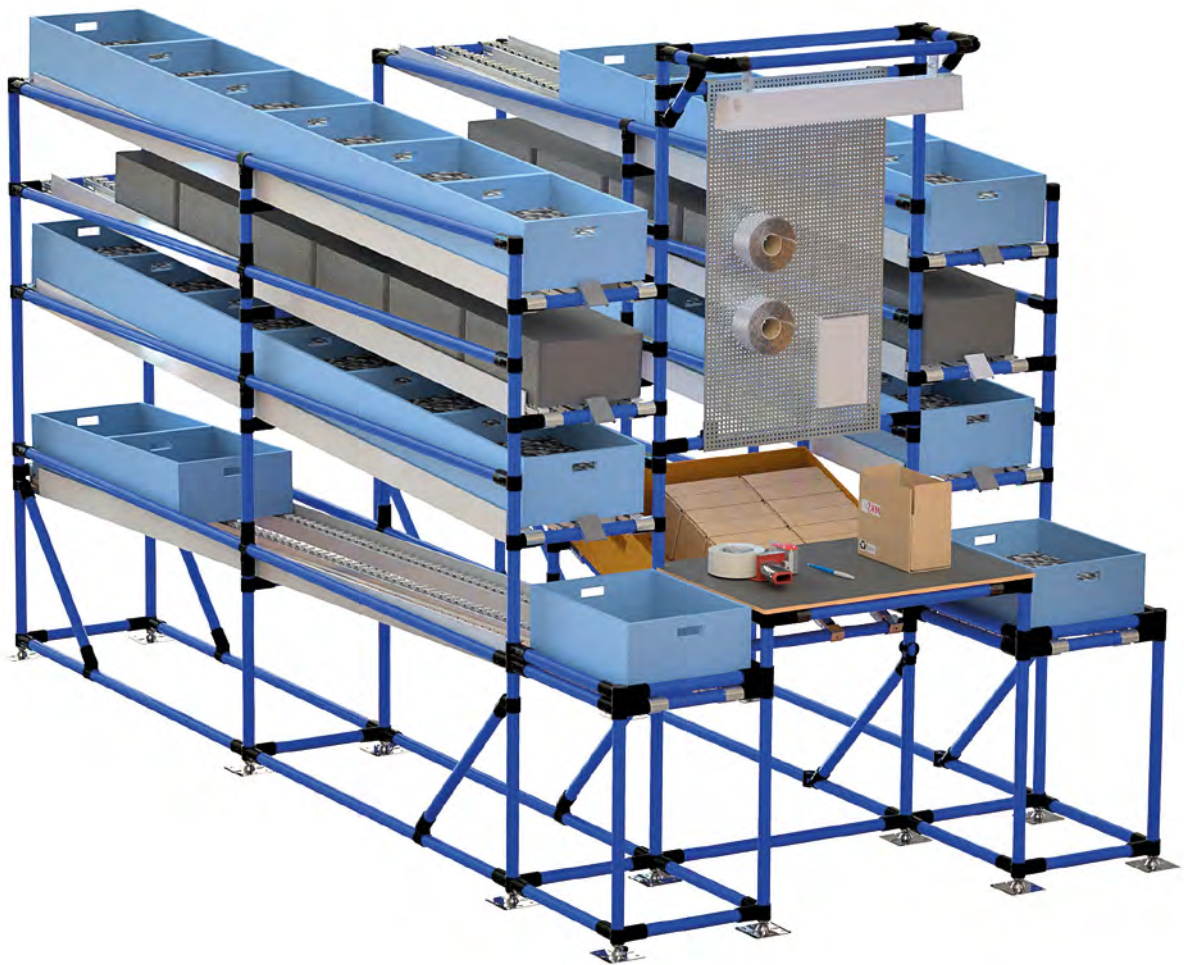
Example of coding stainless steel pipe: **SSP-2812**

STAINLESS STEEL PIPE	OUTER DIAMETER	WALL THICKNESS
 SSP	 28	 12 – 1.2 mm





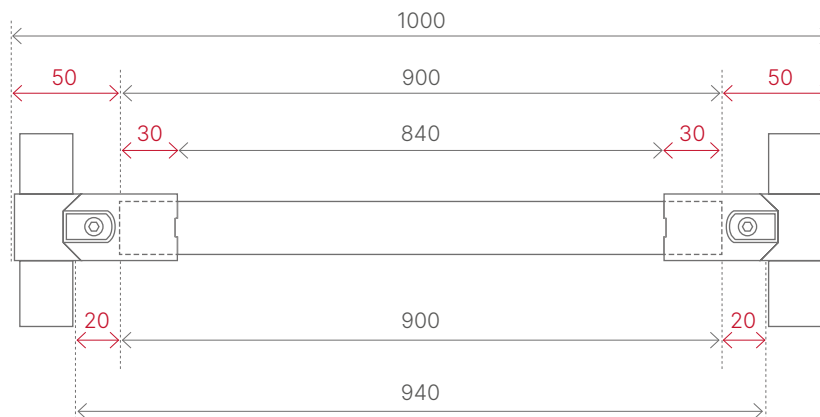
PER 



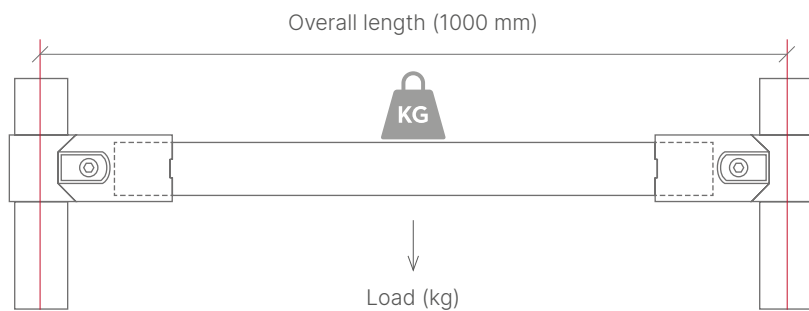
EASYTUBE™

CUTTING PIPE

Scale: mm



MAXIMUM LOAD LIMITS



TYPE OF PIPE	PERMANENT DEFORMATION (mm)	TOTAL BENDING (mm)	POINT LOAD (kg)	EVENLY DISTRIBUTED LOAD (kg)
SSP-2812	0	16	167	267
	5	24	230	368
	10	34	276	442
	15	42	298	477
CP-2810	0	14	112	179
	5	25	167	267
	10	32	184	294
CP-2820	15	38	202	323
	0	12	155	248
	5	187	187	299
PP-2812	10	25	206	330
	15	30	218	349
	0	16	173	277
PP-2812	5	24	224	358
	10	32	257	411
	15	39	273	437

Tested by the Technical University of Munich and the SVUM laboratories, Czech Republic.

EASYTUBE™

METAL JOINTS

EASYTUBE™ pipe connectors (joints) are made from high quality steel, available in two versions: black electrodeposited (-BK) and nickel plated (-NI).



»»» E-1



»»» E-1C



»»» E-2



»»» E-3



»»» E-4



»»» H-20



»»» E-6



»»» E-6C



»»» E-7A

All joints are available in black (-BK) and nickel plated (-NI) versions.

METAL JOINTS



»»» E-7B



»»» E-7C



»»» E-8



»»» E-9



»»» E-11



»»» E-12



»»» E-13A



»»» E-13B



»»» E-14



»»» E-15A



»»» E-15B



»»» E-15AL

All joints are available in black (-BK) and nickel plated (-NI) versions.



»»» E-15BL



»»» E-15M-A



»»» E-15M-B



»»» E-15CL



»»» E-15CR



»»» E-16



»»» E-17



»»» E-18



»»» E-21



»»» E-22



»»» E-1L



»»» E-4L



PER 



EASYTUBE™

EASYTUBE™

JOINT COMBINATIONS

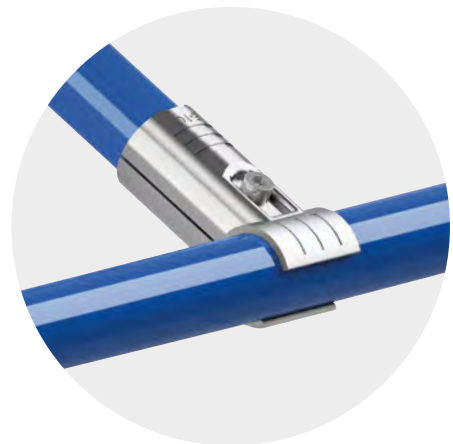
Examples of combinations with pipes and joints.



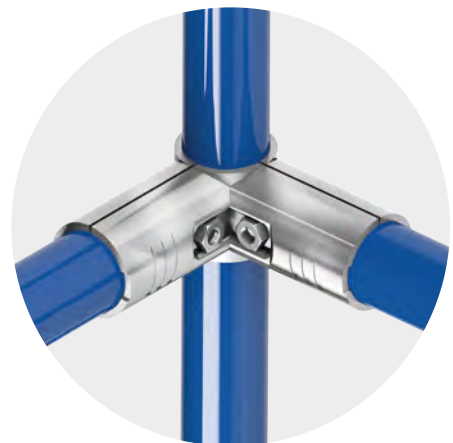
»»» 2× E-1 »»» 1× M0625 + 1× TN06 »»» ES-1



»»» 2× E-1C »»» 1× M0625 + 1× TN06 »»» ES-1C



»»» 1× E-2
1× E-3 »»» 2× M0625 + 2× TN06 »»» ES-2





>>> 2× E-2 >>> 3× M0625 + 3× TN06 >>> **ES-3**
 >>> 1× E-4



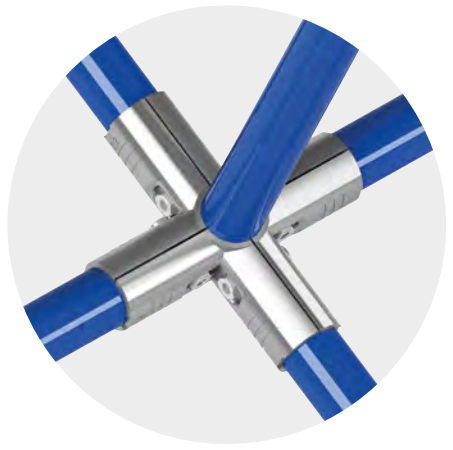
>>> 2× E-4 >>> 2× M0625 + 2× TN06 >>> **ES-4**



>>> 2× H-20 >>> 2× M0625 + 2× TN06 >>> **ES-H-20**
 >>> 1× GAP-12



>>> 4× E-2 >>> 4× M0625 + 4× TN06 >>> **ES-5**





»»» 2× E-6 »»» 1× M0625 + 1× TN06 »»» ES-6



»»» 2× E-6C »»» 1× M0625 + 1× TN06 »»» ES-6C



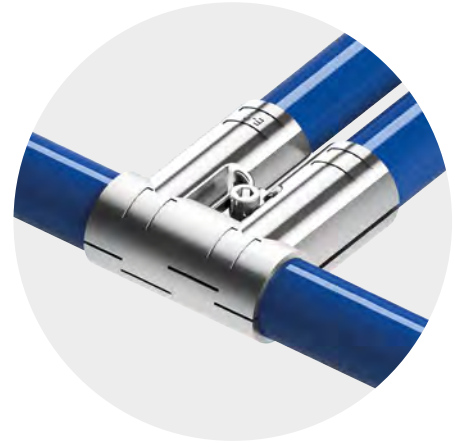
»»» 2× E-7A
2× E-7B »»» 2× M0625 + 2× TN06 »»» ES-7A & ES-7B



»»» 2× E-7C
2× E-7B »»» 3× M0625 + 3× TN06 »»» ES-7C & ES-7B



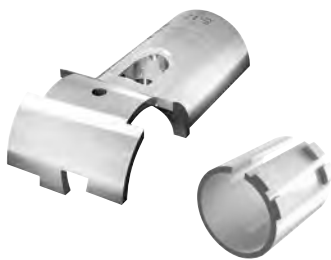
»»» 2× E-8 »»» 1× M0625 + 1× TN06 »»» ES-8



»»» 2× E-9 »»» 1× M0625 + 1× TN06 »»» ES-9



»»» 2× E-11 »»» 2× M0625 + 2× TN06 »»» ES-11



»»» 2× E-12
1× GAP-12 »»» 1× M0625 + 1× TN06 »»» ES-12



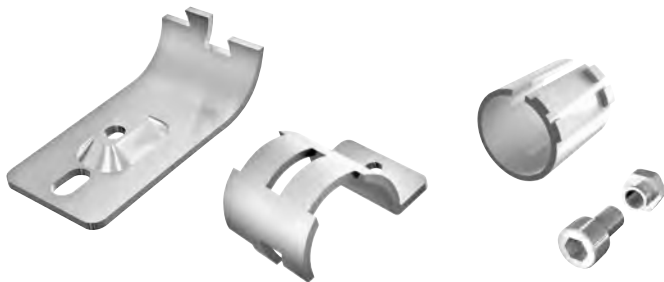
>>> 1× E-13A
 1× E-13B >>> 1× M0625 + 1× TN06 >>> **ES-13**



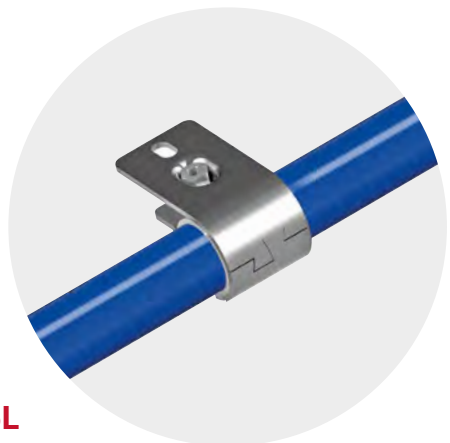
>>> 2× E-14
 4× E-7B >>> 4× M0625 + 4× TN06 >>> **ES-14**



>>> 1× E-15A
 1× E-15B >>> 1× M0610 + 1× TN06 >>> **ES-15**



>>> 1× E-15AL
 1× E-15BL >>> 1× GAP-12 +
 1× M0610 + 1× TN06 >>> **ES-15L**





»»» 1× E-15M-A »»» 1× E-15M-B »»» **ES-15M**



»»» 1× E-15B »»» 1× M0610 + 1× TN06 »»» **ES-15CL**
 »»» 1× E-15CL



»»» 1× E-15B »»» 1× M0610 + 1× TN06 »»» **ES-15CR**
 »»» 1× E-15CR



»»» 2× E-16 »»» **ES-16**



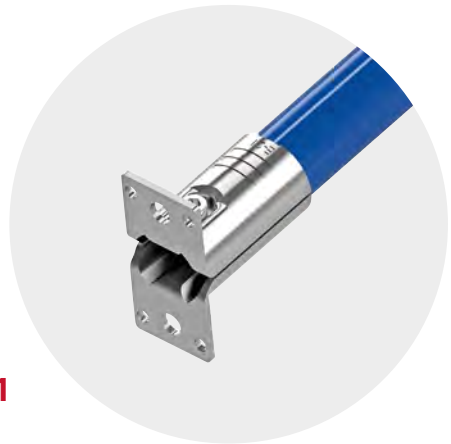
»»» 2× E-17
1× GAP-12 »»» 1× M0625 + 1× TN06 »»» ES-17



»»» 2× E-18
2× GAP-12 »»» 1× M0625 + 1× TN06 »»» ES-18



»»» 2× E-21 »»» 1× M0625 + 1× TN06 »»» ES-21



»»» 2× E-22 »»» 1× M0625 + 1× TN06 »»» ES-22



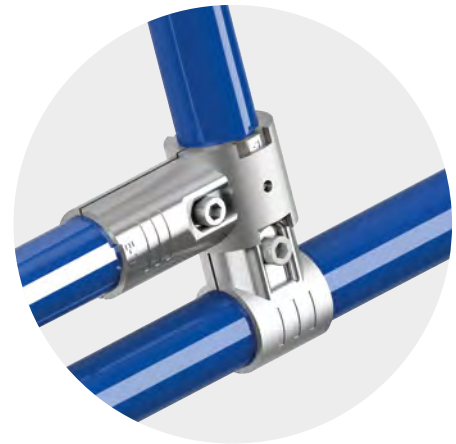


»»» 1× E-22
1× E-21

»»» 1× M0625 + 1× TN06

»»» **ES-23**

JOINTS ON JOINTS



»»» 2× E-1L

»»» 1× M0625 + 1× TN06

»»» **ES-1L**

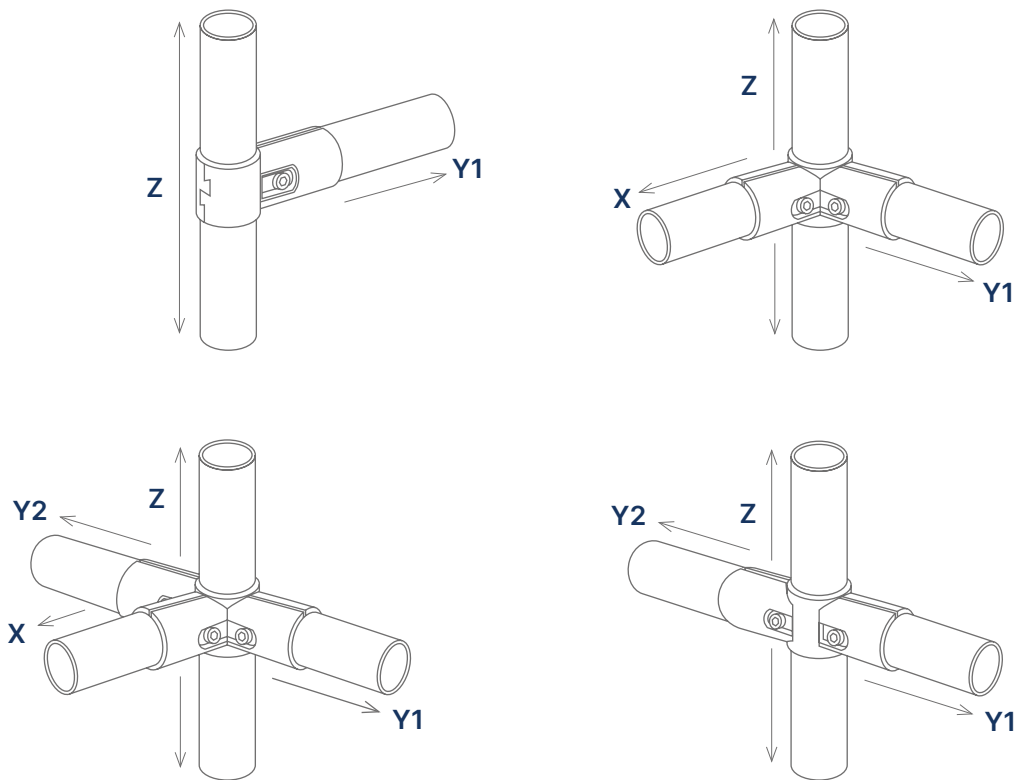


»»» 2× E-4L

»»» 2× M0625 + 2× TN06

»»» **ES-4L**

MAXIMUM LOAD IN X, Y AND Z AXES ON COMBINED JOINTS

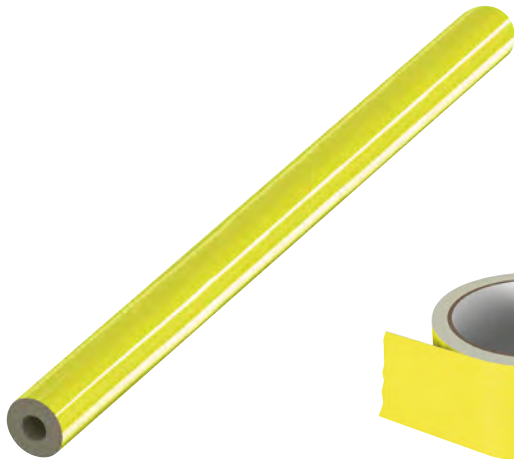


JOINT SET	PIPES	Z (kg)	Y1 (kg)	X (kg)	Y2 (kg)
ES-1	Stainless steel	70	60	-	-
	Powder coated	140	70	-	-
	Plastic coated	200	90	-	-
ES-2	Stainless steel	70	30	30	-
	Powder coated	140	40	40	-
	Plastic coated	200	60	60	-
ES-3	Stainless steel	70	30	30	30
	Powder coated	140	40	40	40
	Plastic coated	200	60	60	60
ES-4	Stainless steel	70	30	30	-
	Powder coated	140	40	40	-
	Plastic coated	200	60	60	-

Tested by the Technical University of Munich and the SVUM laboratories, Czech Republic.

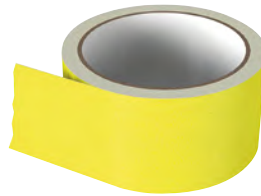
EASYTUBE™

PIPE PROTECTORS



»»» J-I (YE)

ID 28 mm,
available in 2 m lengths



»»» JPT-48 (YE)



»»» HST-32.0 (BK)

ID 32 mm, heat shrink tubing,
available in 1.22 m length



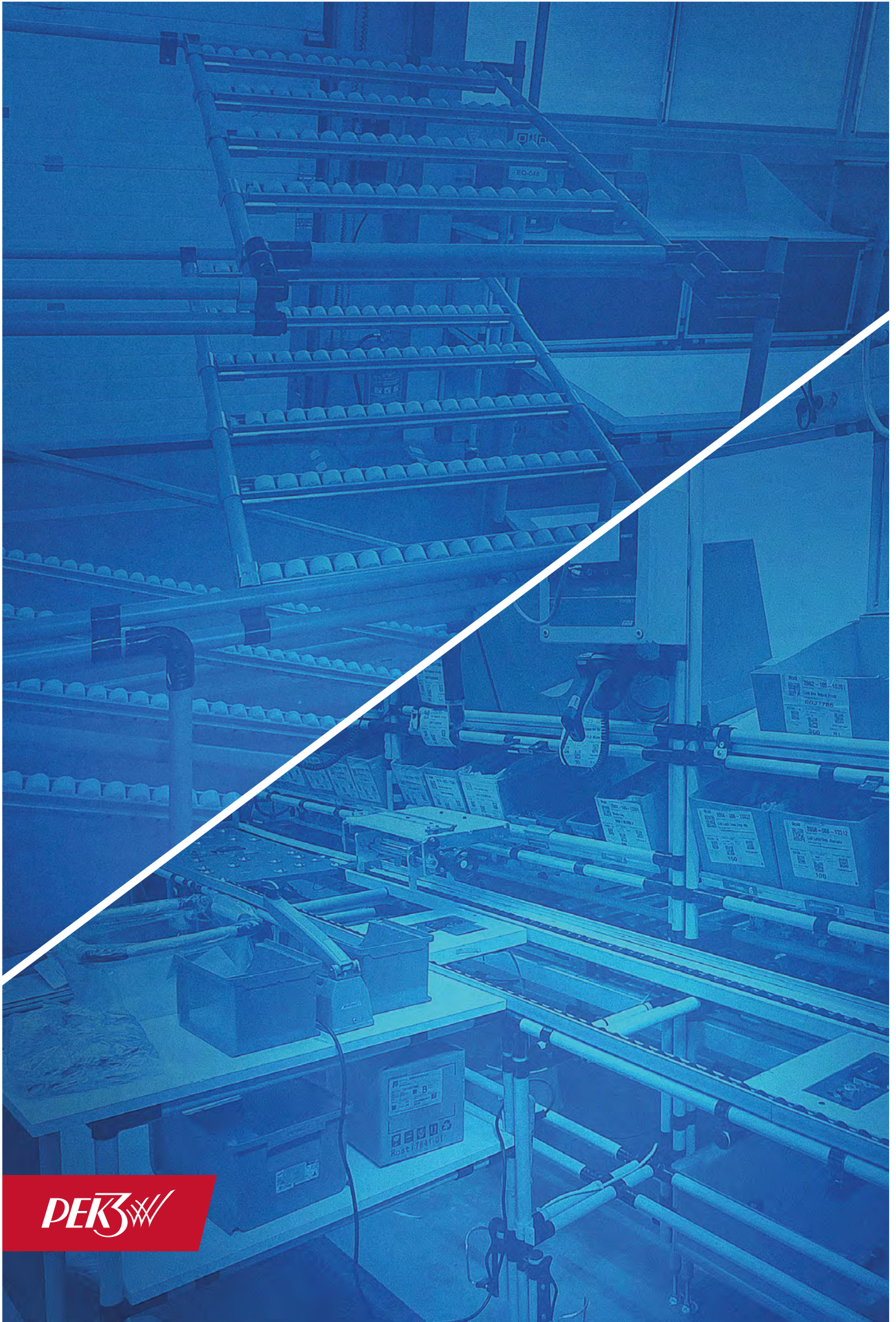
»»» AC-01-O (DB)



»»» AC-02-O (DB)



»»» AC-T01-O (DB)



PER3



EASYTUBE™

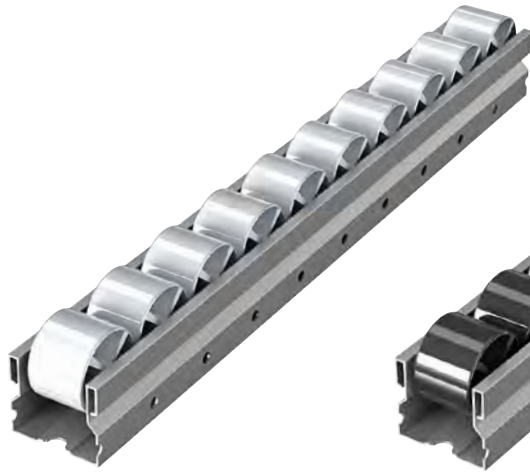
ROLLER TRACKS

SPECIFICATION ROLLER TRACKS

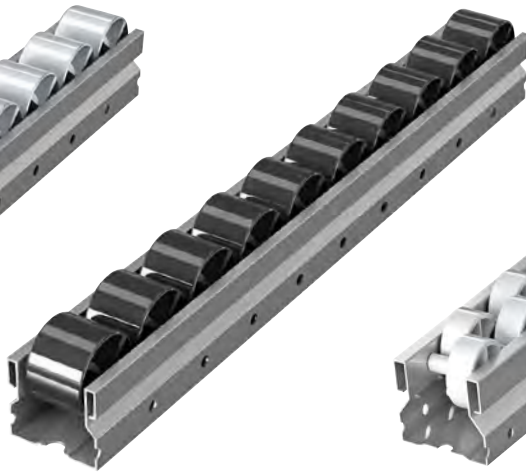
Various other roller tracks such as heavy duty, quiet, multi-directional or with bearings on request.
Available in 4 m lengths.

ROLLER TRACK	LOAD CAPACITY (kg/m)	ROLLER DIAMETER (mm)	ROLLER PITCH (mm)	
	RT-40B/-ESD	113	34	36
	RT-40C/-ESD	113	43	45
	RT-40B-DW	113	27	17
	RT-40S/-ESD	127	18	20
	RT-60B/-ESD	120	30	36
	RT-60S/-ESD	120	16	18

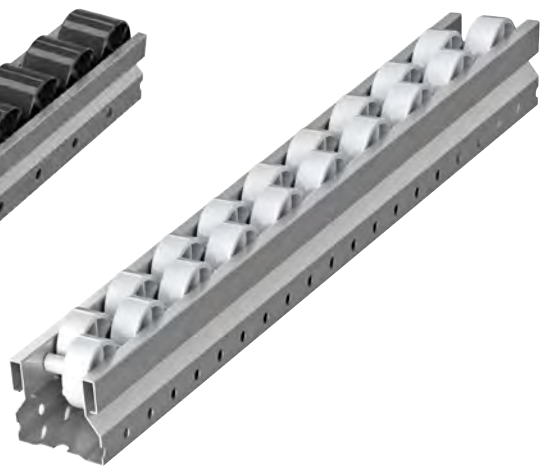
Material of roller track: Galvanised steel (SPCC)/PE. Shaft diameter 4 mm.



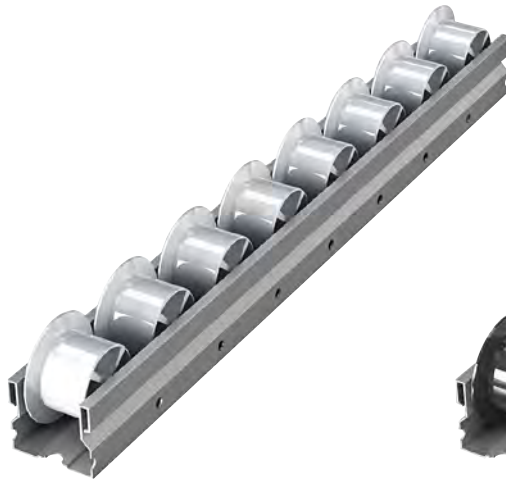
»»» RT-40B



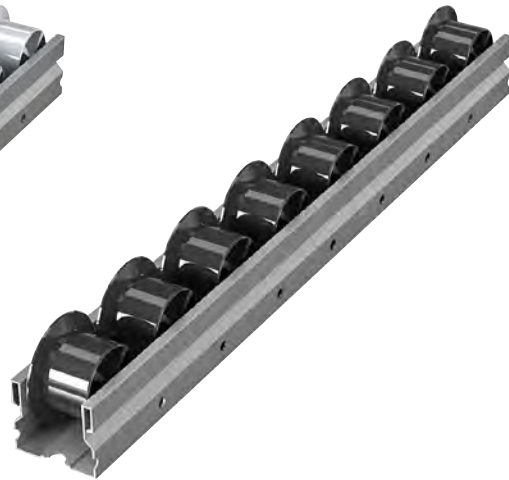
»»» RT-40B-ESD



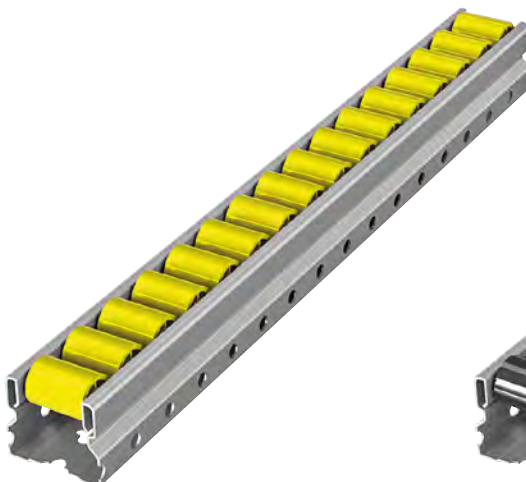
»»» RT-40B-DW



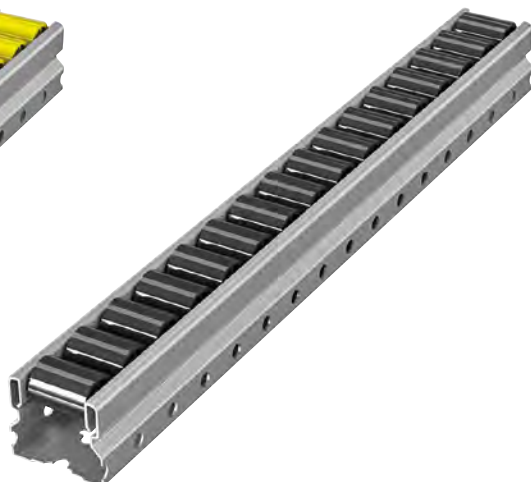
»»» RT-40C



»»» RT-40C-ESD



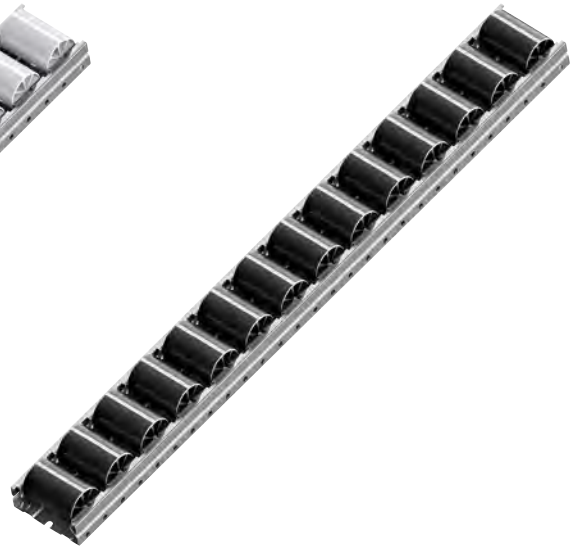
»»» RT-40S



»»» RT-40S-ESD



»» RT-60B



»» RT-60B-ESD



»» RT-60S



»» RT-60S-ESD

BALL TRANSFER UNIT



»» BT-2P

Ball OD=25 mm
Other types available on request

EASYTUBE™

ROLLER TRACK GUIDES



»»» RTG-1



»»» RTG-2



»»» RTG-3



»»» SP-B

Separator

ROLLER TRACK BRAKE



»»» EWS-A

For RT-40B



»»» EWS-B

For RT-40C

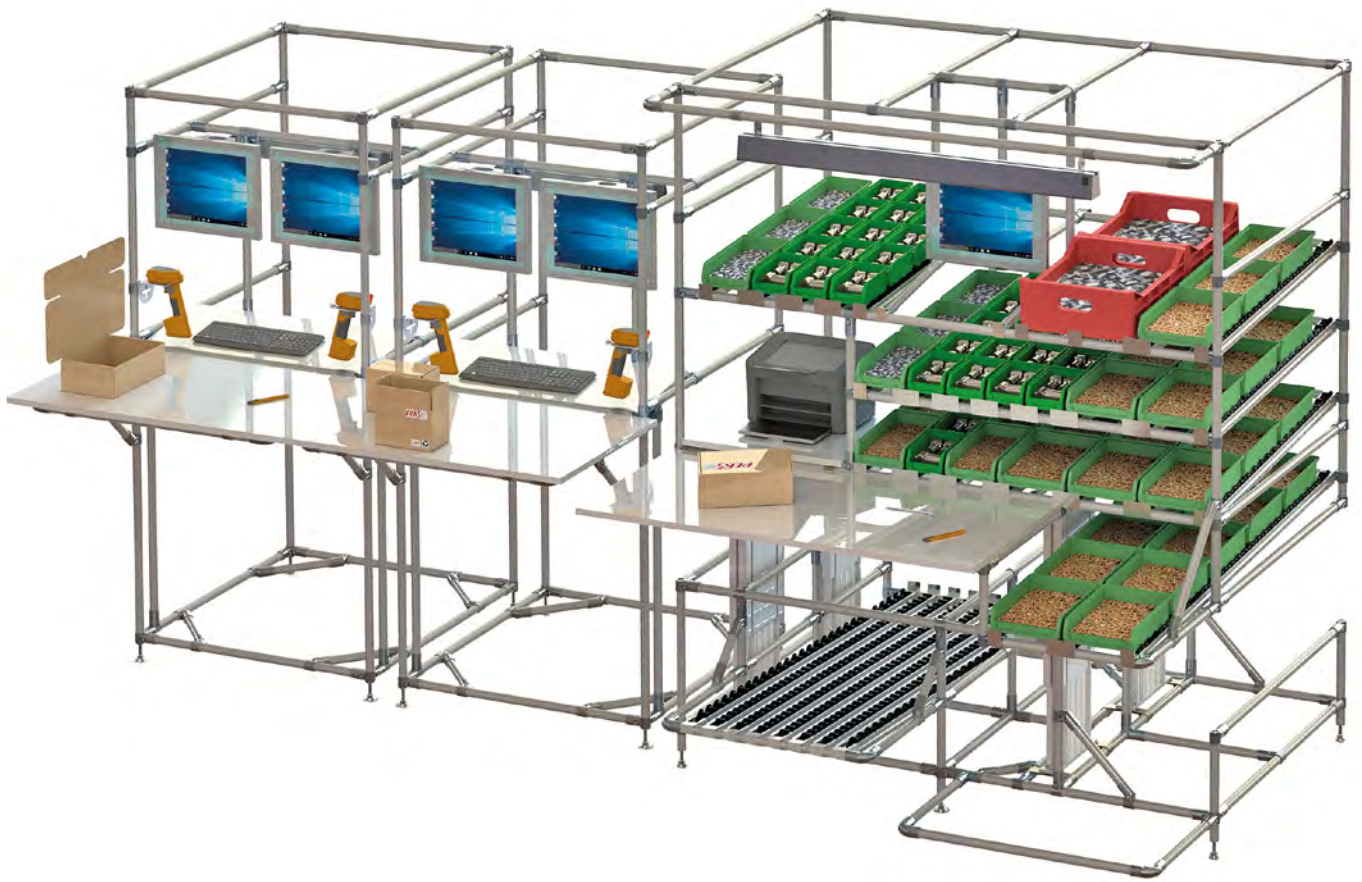


»»» EWS-D

For RT-40S / RT-60S



PER 



EASYTUBE™

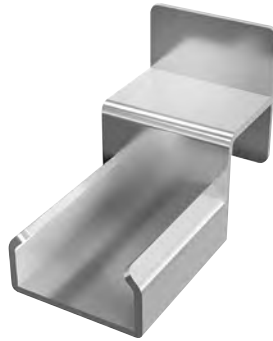
EASYTUBE™

MOUNTING BRACKETS

MOUNTING BRACKETS FOR 40 mm ROLLER TRACKS



»»» GP-AR



»»» GP-B



»»» GP-C



»»» GP-C2



»»» GP-D



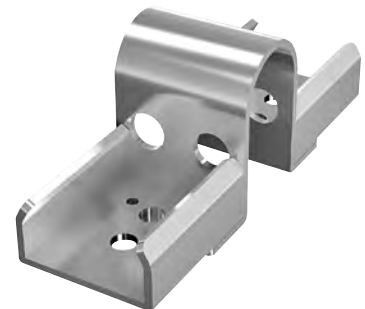
»»» GP-E



»»» GP-F



»»» GP-G



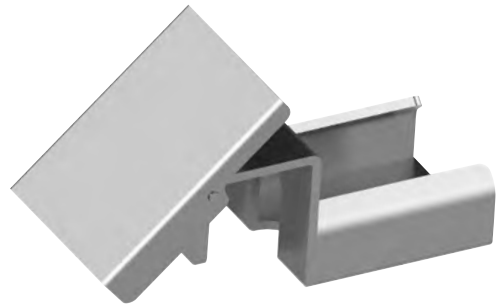
»»» GP-HR



»» GP-I

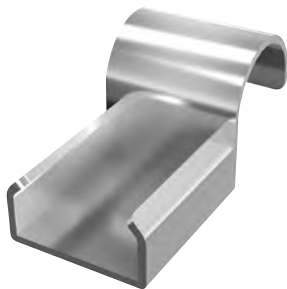


»» GP-JR



»» GP-M

MOUNTING BRACKETS FOR 40 mm ROLLER TRACKS OVER JOINTS



»» GP-ARL



»» GP-BL



»» GP-DL



»» GP-FL



»» GP-GL

MOUNTING BRACKETS FOR 60 mm ROLLER TRACKS



»»» GP-A60



»»» GP-B60



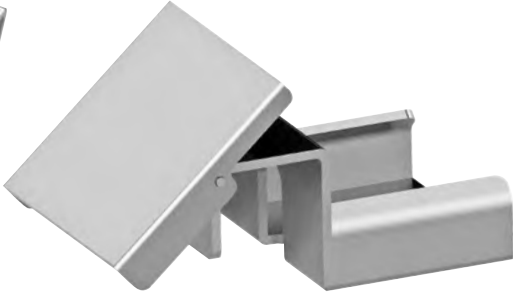
»»» GP-C60



»»» GP-C260



»»» GP-D60



»»» GP-M60

MOUNTING BRACKETS FOR 60 mm ROLLER TRACKS OVER JOINTS



»»» GP-AL60



»»» GP-BL60

MOUNTING BRACKETS FOR PIPES



»» GS-A



»» GS-B



»» GS-C



»» GS-D



»» PS-A



»» PS-B

FIT OVER JOINTS



»» GS-AL



»» GS-BL



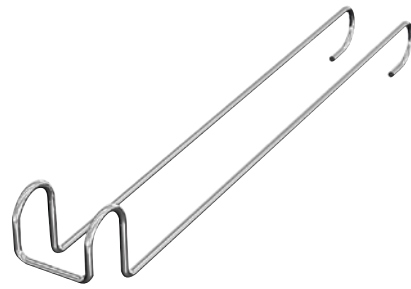
»» GS-DL

TILT BAR



»»» TB-300

300 mm length

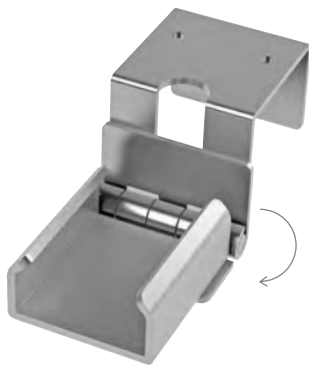


»»» TB-400

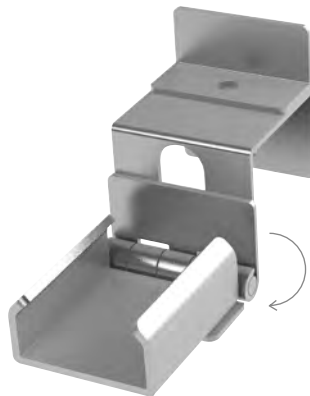
400 mm length

MOUNTING BRACKETS FOR COMBINING ROLLER TRACKS WITH 40 mm SQUARE (E.G. ALUMINIUM) PROFILES

On request also for 60 mm roller tracks.



»»» GP-A-AL40



»»» GP-B-AL40



»»» GP-D-AL40



»»» GP-A-AL



»»» GP-B-AL

ELEMENTS FOR COMBINING PIPES WITH ALUMINIUM PROFILES AND SQUARE FRAMES/PROFILES



»»» E-21



»»» E-22



»»» E-15A



»»» E-15B

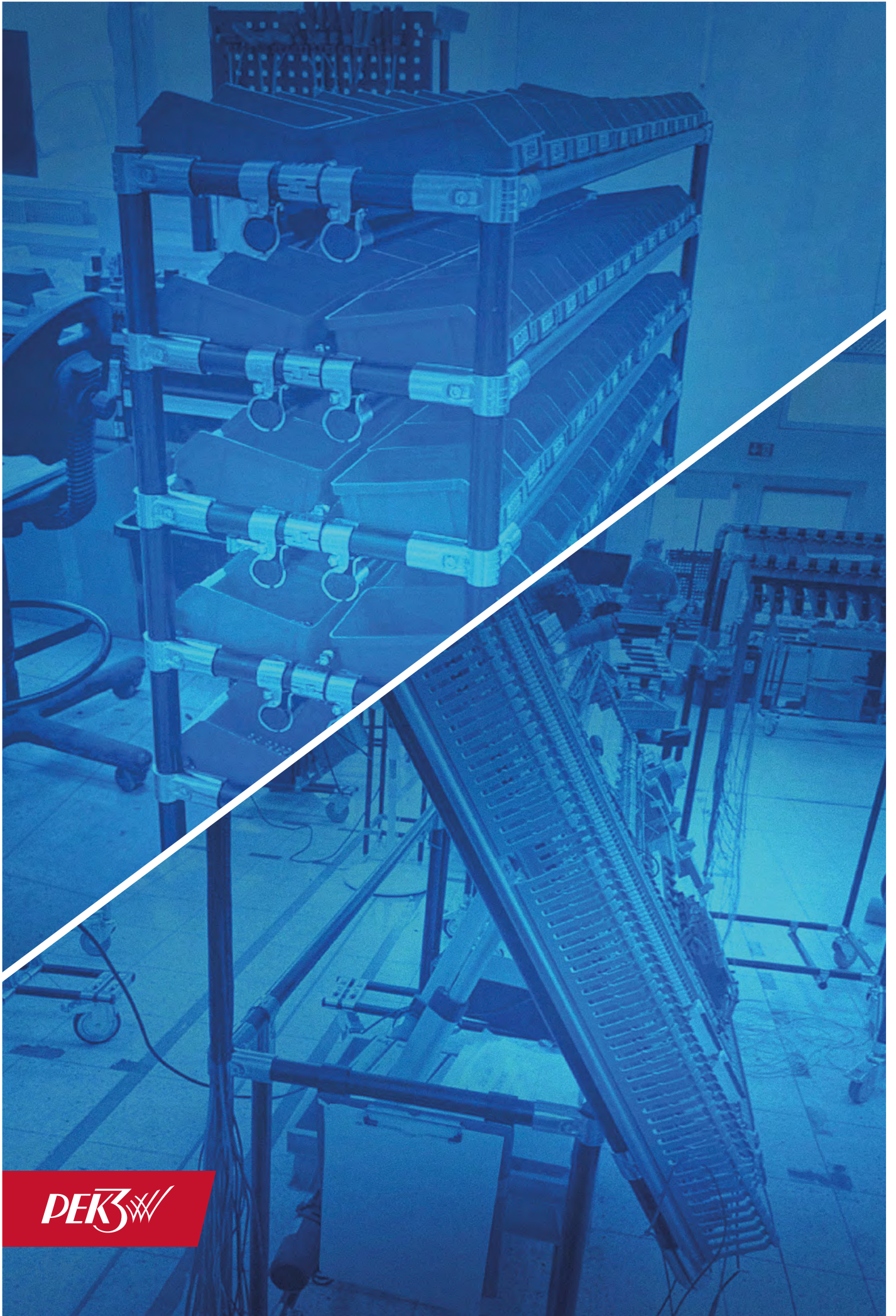


»»» E-16



»»» GAP-17

MOUNTING BRACKETS



PER3



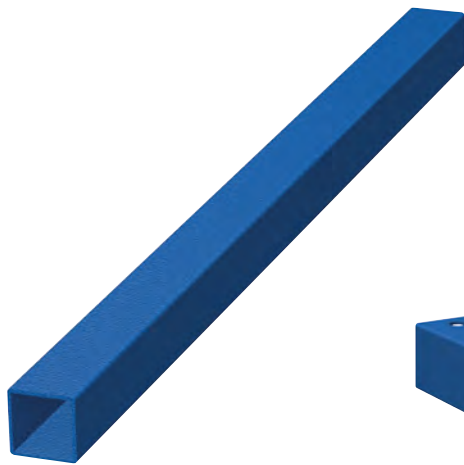
EASYTUBE™

EASYTUBE™

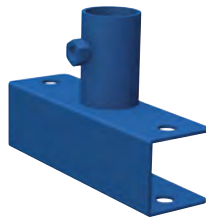
SQUARE FRAMES

For some applications a rigid frame is necessary – for example when a forklift is used to lift it or when it is part of a train and towed at relatively high speed. In these and similar cases we suggest the use of our square frame system as a base.

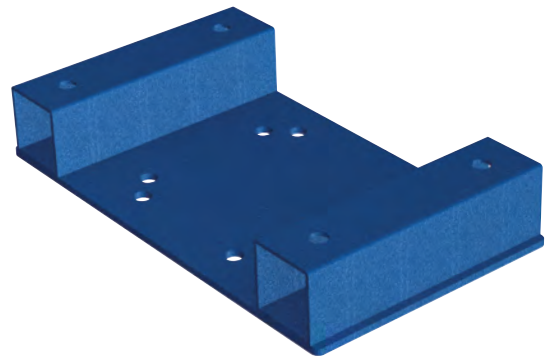
It is of course modular, the components are made of high grade welded steel and are easily combined with the pipes and joints to form a hybrid system which is at the same time flexible, strong and easily modified.



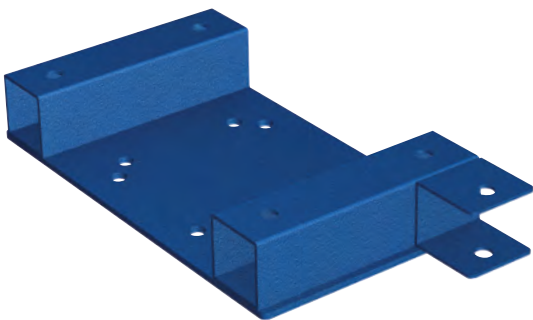
»»» SQF-3535-DB



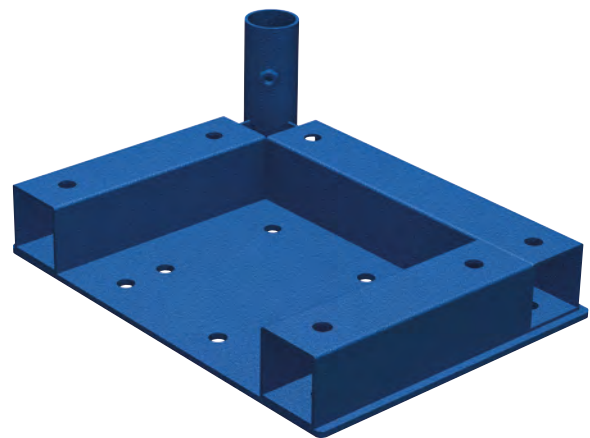
»»» SQF-CP



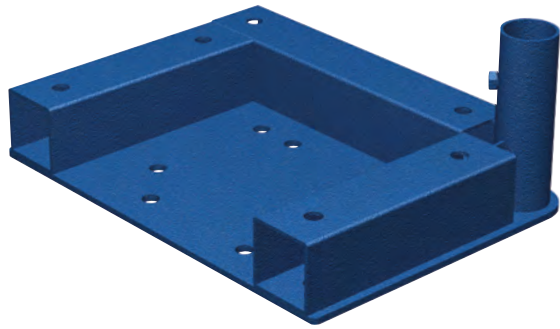
»»» SQF-II



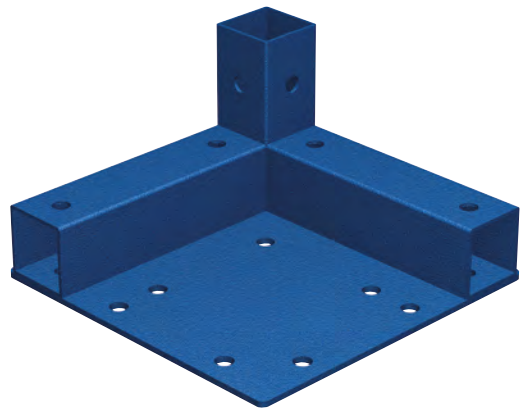
»»» SQF-II-2



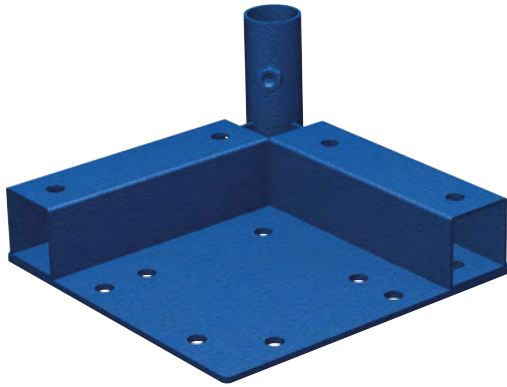
»»» SQF-CP-L



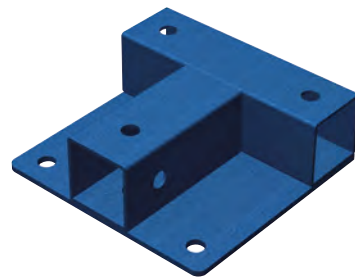
»»» SQF-CP-R



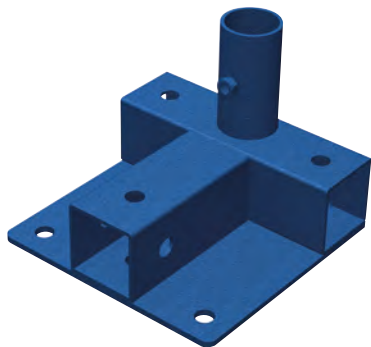
»»» SQF-L



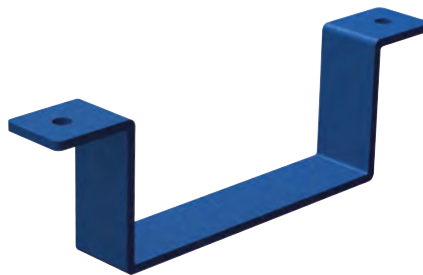
»»» SQF-LP



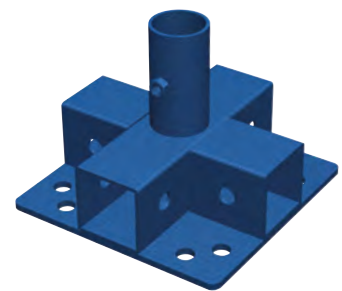
»»» SQF-T



»»» SQF-TP



»»» SQF-U



»»» SQF-X

EASYTUBE™

MONORAILS



»» MR-1

Max. 10 kg load capacity



»» MR-2

Max. 30 kg load capacity



»» MR-3

Max. 20 kg load capacity



»» MR-4

Max. 2 kg load capacity



»» MR-A50



»» MR-A100



»» MR-A150



»» MR-A200



»» GS-1260



Example use of monorails.

EASYTUBE™

METAL ACCESSORIES



»»» PC-A



»»» PC-A1



»»» PC-B



»»» PC-C



»»» PC-D



»»» P-CON-A

For SSP-2812



»»» P-CON-B

For CP-2810



»»» CM-A



»»» CM-B



»» PH-A



»» PH-B-H



»» BH-A



»» BH-B



»» HOOK-1



»» HOOK-2



»» TH50Y-A

Tool holder



»» TH-08L

Tool holder



»» TH-01

Manual scanner holder



»» CH-2010
Spray can holder – ID 90 mm



»» DIS-01
Semi-automatic
discharging system



»» EPAL-C
Palett holder



»» FH-A
Trailer coupling



»» FH-B
Trailer coupling



»» F-200 WH
Forklift guide





EASYTUBE™

EASYTUBE™

PLASTIC ACCESSORIES



»»» GAP-06 (IV, EB)



»»» GAP-08 (IV, EB)



»»» GAP-11 (IV, EB)



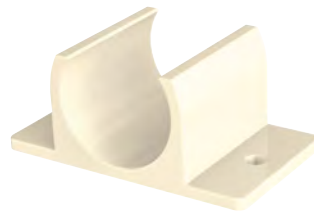
»»» GAP-12 (WH)



»»» GAP-15 (IV)



»»» GAP-17 (IV)



»»» GAP-49 (IV, EB)



»»» CUP-10

PLASTIC LABELS



»»» **LA-B**
420 × 297 mm (A3)



»»» **LA-C**
300 × 210 mm (A4)



»»» **LA-D**
150 × 60 mm



»»» **LA-S**
80 × 120 mm



»»» **NP-150**
150 × 54 mm



»»» **NP-250**
250 × 54 mm



»»» **NP-1000**
1000 × 54 mm

STORAGE BOXES



»»» OB-111

Outside dimensions 137 × 87 × 110 mm,
made of PP plastic



»»» OB-6161

Outside dimensions 140 × 90 × 80 mm
5 kg load capacity, stackable

OPEN FRONTED STORAGE BOXES



»»» SLK-211

External dimensions 168 × 103 × 76 mm,
made of PP plastic



»»» SLK-221

Outside dimensions 234 × 150 × 122 mm,
made of PP plastic



»»» SLK-TF-5

Outside dimensions 175 × 100 × 75 mm,
made of conductive polypropylene

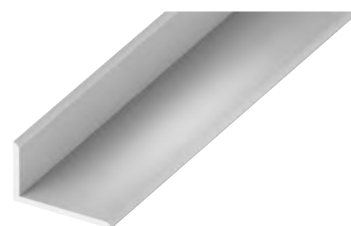


»»» SLK-TF-4

Outer dimensions 235 × 145 × 125 mm,
made of conductive polypropylene

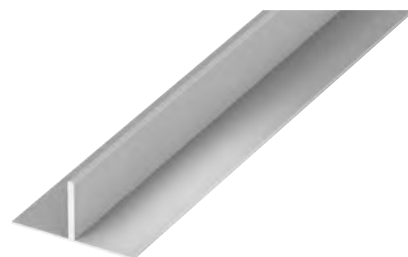
L-TYPE

AL-1-LG	30 × 50 × 3.3 mm, grey, 4 m long
AL-5-LG	50 × 50 × 5 mm, grey, 4 m long



T-TYPE

AT-1-LG	100 × 55 × 4 mm, grey, 4 m long
----------------	---------------------------------



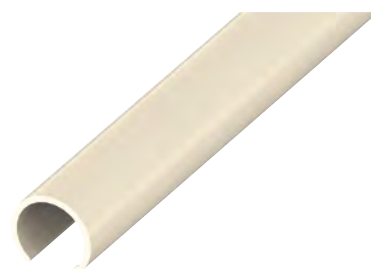
U-TYPE

AU-1-LG	36 × 36 × 3 mm, grey, 4 m long
----------------	--------------------------------



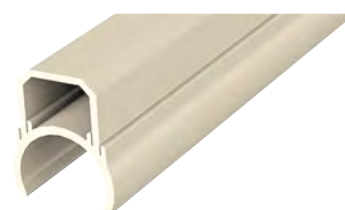
PIPE COVER

PC-1-IV	Ivory, 4 m long
----------------	-----------------



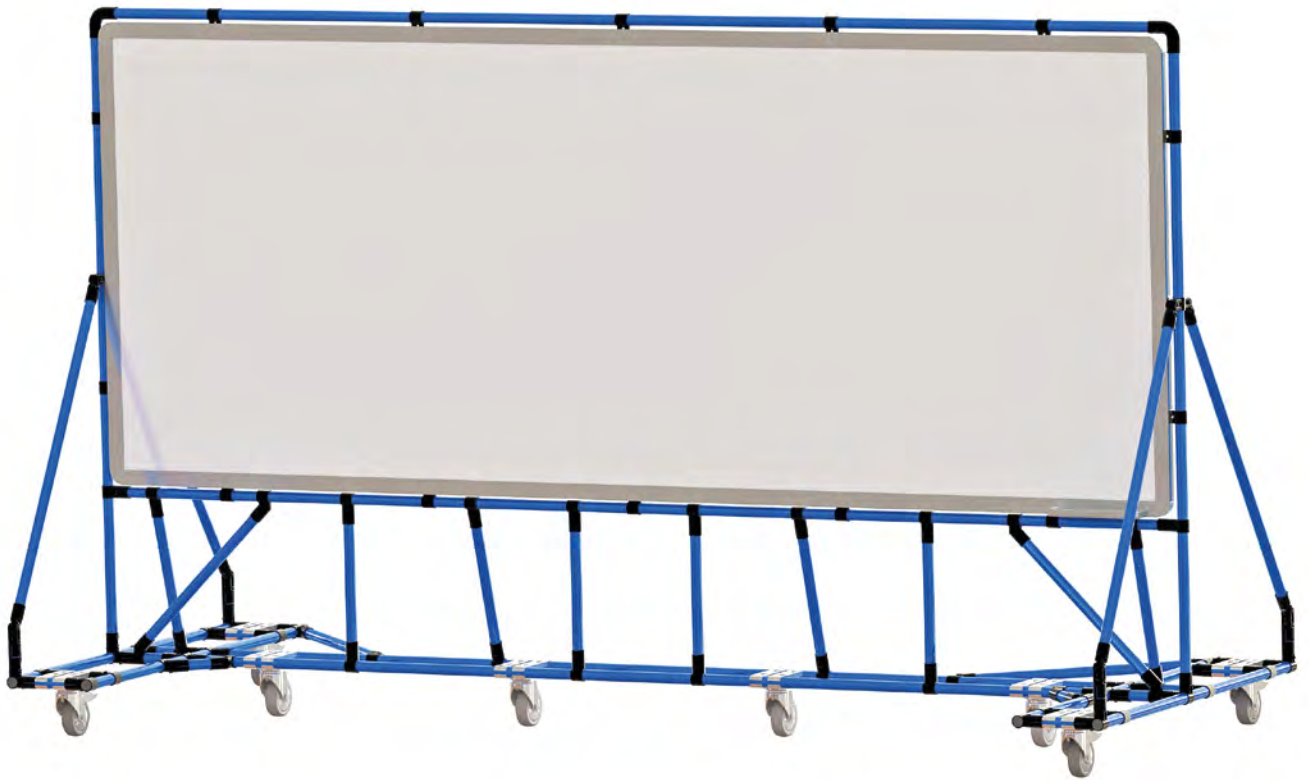
CABLE DUCT

CD-A	Ivory, 3 m long
CD-B	Ivory, 3 m long





PER3



EASYTUBE™

WHEELS & CASTORS

THREAD TYPE



S
Swivel



S-E
Swivel, ESD



S-B
Swivel with brake



S-B-E
Swivel with brake, ESD

	HEIGHT (mm)	DIAMETER (mm)	DYNAMIC LOAD (kg)	STATIC LOAD (kg)	SWIVEL	BRAKE	ESD
TT-75-S	100	75	75	150	✓		
TT-75-S-E	100	75	55	110	✓		✓
TT-75-S-B	100	75	75	150	✓	✓	
TT-75-S-B-E	100	75	55	110	✓	✓	✓
TT-100-S	135	100	100	200	✓		
TT-100-S-E	135	100	80	160	✓		✓
TT-100-S-B	135	100	100	200	✓	✓	
TT-100-S-B-E	135	100	80	160	✓	✓	✓
TT-125-S	170	125	100	200	✓		
TT-125-S-E	170	125	100	200	✓		✓
TT-125-S-B	170	125	100	200	✓	✓	
TT-125-S-B-E	170	125	100	200	✓	✓	✓

Use M1225 WH + SW12 for mount with bushing.
Needs to be ordered separately.



PLATE TYPE



R
Rigid



S
Swivel



S-B
Swivel with brake



R-E
Rigid, ESD



S-E
Swivel, ESD



S-B-E
Swivel with brake, ESD

	HEIGHT (mm)	DIAMETER (mm)	DYNAMIC LOAD (kg)	STATIC LOAD (kg)	RIGID	SWIVEL	BRAKE	ESD
PT-100-R	135	100	100	200	✓			
PT-100-R-E	135	100	80	160	✓			✓
PT-100-S	135	100	100	200		✓		
PT-100-S-E	135	100	80	160		✓		✓
PT-100-S-B	135	100	100	200		✓	✓	
PT-100-S-B-E	135	100	80	160		✓	✓	✓
PT-125-R	160	125	100	200	✓			
PT-125-R-E	160	125	100	200	✓			✓
PT-125-S	160	125	100	200		✓		
PT-125-S-E	160	125	100	200		✓		✓
PT-125-S-B	160	125	100	200		✓	✓	
PT-125-S-B-E	160	125	100	200		✓	✓	✓
PT-160-R	200	160	350	700	✓			
PT-160-S	200	160	350	700		✓		
PT-160-S-B	200	160	350	700		✓	✓	

ONLY FOR
USE WITH
SQUARE
FRAME

High precision cone ball-bearing.

ATTACHING STRIPS FOR PLATE TYPE WHEELS



»» CM-100



»» CM-200



»» CM-300



»» MCP-AL (BK)



»» MCP-AR (BK)

COMPATIBLE ATTACHMENTS FOR PIPES AND WHEELS WITH MOUNTING PLATE ON...

TUBULAR FRAMES (CM + MCP)

Item	Screw M835-WH	Screw M840-WH	Nut NN08-WH	Spring SW08-WH	Brackets CM-100	Brackets CM-200	Brackets CM-300
PT-100	✓		✓	✓	✓	✓	✓
PT-125	✓		✓	✓	✓	✓	✓
PT-160	✓		✓	✓			✓

SQUARE FRAME (SQF)

PT-160		✓	✓	✓			
--------	--	---	---	---	--	--	--

COMPATIBLE ATTACHMENTS FOR WHEELS WITH MOUNTING CM-...

- »»» 4× CM-100 »»» 4× M08×35-WH
»»» 4× NN08-WH WHEEL »»» **CM-100**
- »»» 4× CM-200 »»» 4× M08×35-WH
»»» 4× NN08-WH WHEEL »»» **CM-200**
- »»» 4× CM-300 »»» 4× M08×35-WH
»»» 4× NN08-WH WHEEL »»» **CM-300**



COMPATIBLE ATTACHMENTS FOR WHEELS WITH MOUNTING MCP-...

- »»» 1× MCP-AL/AR »»» 4× M08×20-WH
»»» 4× NN08-WH »»» 8× PW08 »»» **MCP-AL/AR**
»»» 6× M06×45-WH »»» 6× NN06-WH
»»» WHEEL



COMPATIBLE ATTACHMENTS FOR WHEELS WITH MOUNTING SQF-...

- »»» 1× SQF-L »»» 1× PT-160
»»» 5× M08X55-WH »»» **SQF-L**
»»» 4× M08X20-WH
»»» 9× NN08-WH



EASYTUBE™

FEET



»» AD-32-M



»» AD-32-RP

Accessories AD-32-M



»» AD-50-M



»» AD-50-MH



»» AD-SM



»» AD-SMB



»» AD-SMS



»» AD-SMR



»» CAP-02-R



CAPS & BUSHINGS



»» CAP-01-BK

Plastic end cap,
fits all pipes



»» CAP-01-CR

Plastic end cap,
chrome plated



»» CAP-02-R

Rubber outer cap



»» CAP-03-IV

Plastic outer cap



»» CAP-03-EB

Plastic outer cap, ESD



»» BS-28XX

Bushings



»» CAP-10-S



»» CAP-12-S

BUSHINGS

»» BS-2810-B

For Plastic Coated Pipe
t = 1.0 mm, Thread M12

»» BS-2810-F

For Plastic Coated Pipe
t = 1.0 mm, Thread M10

»» BS-2812-B

For Stainless Steel and Powder Coated Pipe
t = 1.2 mm, Thread M12

»» BS-2820-B

For Plastic Coated Pipe
t = 2.0 mm, Thread M12

FASTENERS

BOLTS



»» M0625-BK

M6 bolt, 25 mm, black



»» M0625-WH

M6 bolt, 25 mm, galvanised white steel



»» M0610-BK

M6 bolt, 10 mm, black



»» M0610-WH

M6 bolt, 10 mm, galvanised white steel



»» M835-WH

M8 bolt, 35 mm, galvanised white steel



»» M840-WH

M8 bolt, 40 mm, galvanised white steel



»» M1225-WH

M12 bolt, 25 mm, galvanised white steel

SCREWS



»» SC-1

Self cutting screw, 3.9 × 13 mm, x-head,
for use with metal, DIN 7504-O-3.9x13ZN



»» SC-2







Self cutting screw, 4.2 × 19 mm, x-head,
for use with wood, DIN 7997/4.2x19ZN







»» RIV-1

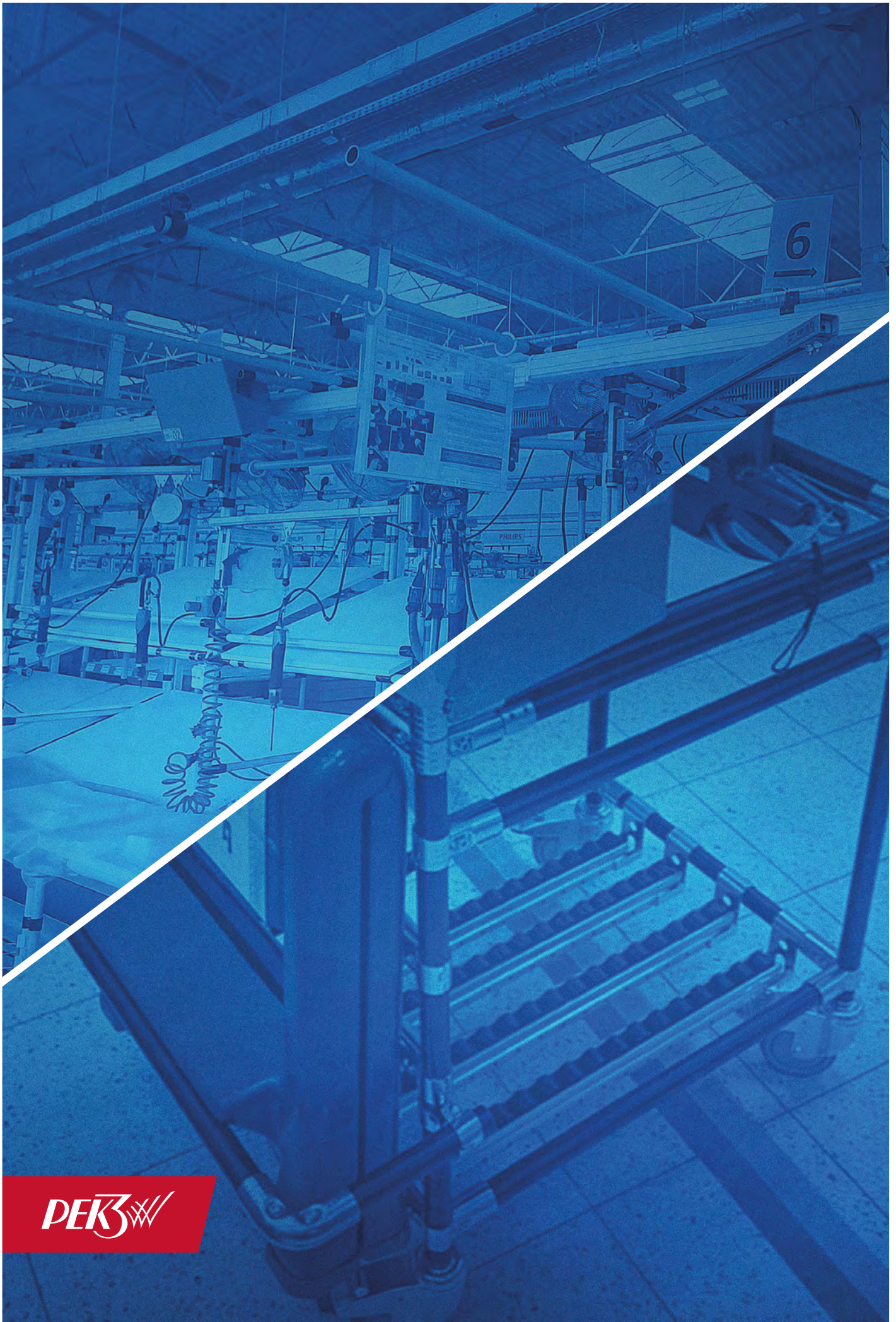
Blind rivet alu/steel 4.8 × 16 mm,
diameter = 16 mm

NUTS

	»»» TN06-BK	T-Nut, M6, black finished steel
	»»» TN06-WH	T-Nut, M6, galvanised white steel
	»»» TN06L-BK	T-Nut, M6, self locking, black finished steel
	»»» TN06L-WH	T-Nut, M6, self locking, galvanised white steel
	»»» NN08-WH	Nut, M8, galvanised white steel with nylon insert
	»»» N12-WH	Nut, M12, galvanised white steel

WASHERS

	»»» PW08-WH	M8 flat washer
	»»» PW12-WH	M12 flat washer
	»»» SW08-WH	M8 spring washer
	»»» SW12-WH	M12 spring washer



PER3



EASYTUBE™

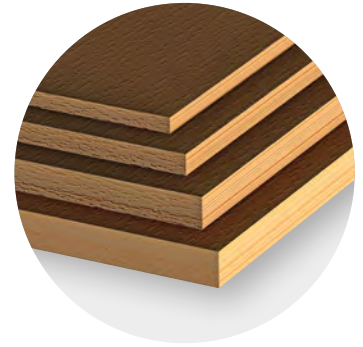
EASYTUBE™

CUSTOMISING

WORK SURFACES

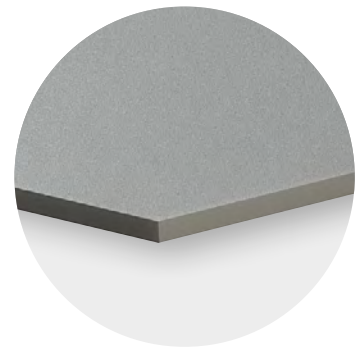
»»» SDP-mm

Coated Plywood Board, dark brown
Thickness (mm): 9, 12, 15, 18, 21



»»» RP-mm

Resopal plate
Thickness 6 mm



»»» SP-mm

Clipboards
Thickness (mm): 19, 28



»»» MDFP-mm

MDF boards
Thickness (mm): 3, 6, 8, 10, 12, 16, 19, 22



»»» SH-mm

Plywood
Thickness (mm): 3, 4, 6, 8, 10, 12, 15, 18, 20



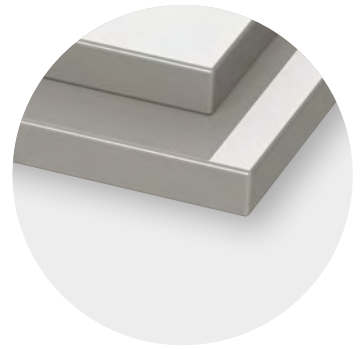
»»» PGP-mm /-E

Acrylic plate / -ESD
Thickness (mm): 2, 3, 4, 5, 6, 8, 10, 15, 20



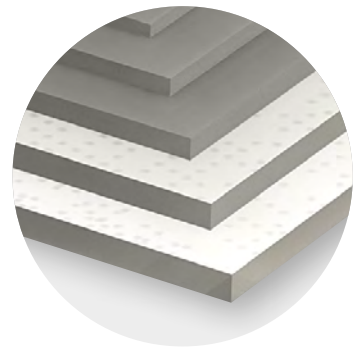
»»» EAP-mm-E

ESD plates
Thickness (mm): 19, 20.6



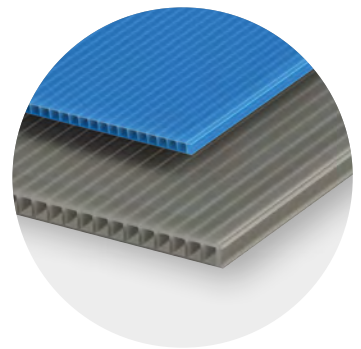
»»» PGP-mm-E

ESD acrylic plate
Thickness (mm): 3, 5, 6, 8, 10, 20



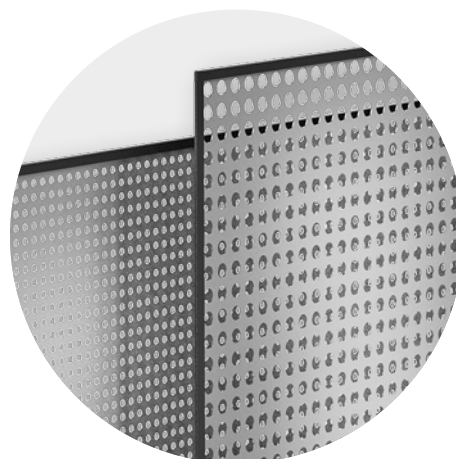
»»» PPHKP-mm

PP corrugated sheet
Thickness 5 mm



PERFORATED STEEL PLATE

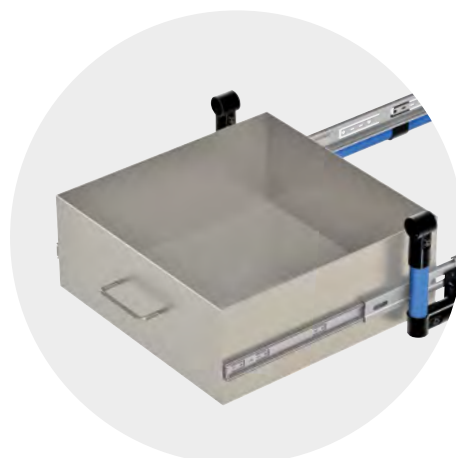
»»» SS-mm	Stainless steel, round hole ID 5 mm Thickness (mm): 1, 1.5
»»» ST-mm	Steel, round hole ID 10 mm Thickness 1.5 mm
»»» ZPS-mm	Zinc-plated steel, round hole ID 10 mm Thickness 1.5 mm
»»» KSB	Edge protector, PVC black, 9 mm



DRAWER

»»» DRW-M	Metal drawer
»»» DRW-W	Wooden drawer

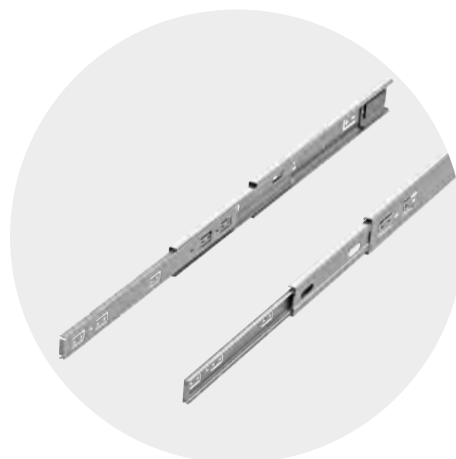
We manufacture drawer sizes according to your wishes.



SLIDE RAIL

»»» SR-300	Slide Rail, length 300 mm
»»» SR-400	Slide Rail, length 400 mm
»»» SR-500	Slide Rail, length 500 mm

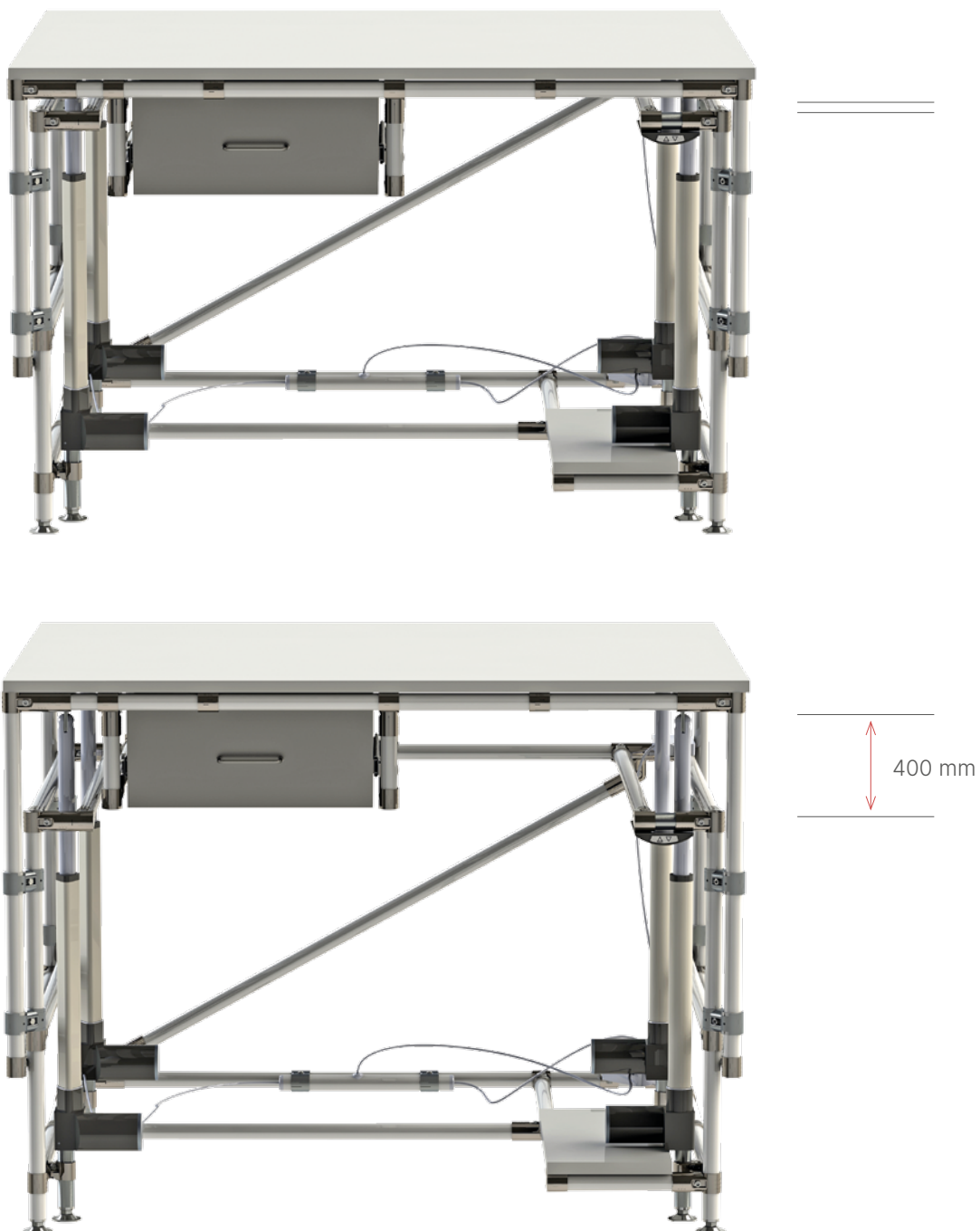
Push-to open or pull-to open (options available)
depending on weight requirements.



EASYTUBE™

HEIGHT ADJUSTMENT

It is sometimes desirable to be able to alter the working height of a packing table or a workbench. Other applications include raising gates in roller tracks, carts with adjustable levels etc. PEK3 offers a range of options suitable for every pocket. These can be operated electrically or by means of a hand crank.



ELECTRIC LIFTING COLUMNS

»»» ELC-1000

Lift 400 mm, installation length (EBL) 520 mm, Fmax. 1000 N, 24VDC, velocity 14 mm/s, 6 pin Molex plug, colour aluminium, limit switch 2 pieces

»»» ELC-2000

Lift 400 mm, installation length (EBL) 595 mm, Fmax. 2000 N, 24VDC, velocity 9 mm/s, 6 pin Molex plug, colour black, limit switch 2 pieces



SPECIFICATION

DRIVE: linear drive

CABLE SUPPLY LENGTH 1200 mm: 1.5 m

DUTY CYCLE: 10%

SYNCHRONOUS WORKING

ELECTRIC LIFTING COLUMNS HEXALIFT

»»» HUB-HL-800

Lifting force: 800 N

»»» HUB-HL-2000

Lifting force: 2000 N

»»» HUB-HL-3200

Lifting force: 3200 N



SPECIFICATION

MAX. LATERAL LOAD: 1200 Nm in longitudinal direction static, 500 Nm dynamic, 450 Nm in transverse direction static, 255 Nm dynamic

LIFTING SPEED AT 24V WITHOUT LOAD: V1 – 9 mm/s, V2 – 18 mm/s, V3 – 9 mm/s, V4 – 18 mm/s

ENGINE: internal direct current drive with built-in limit switches and 2 hall sensors

HALL SENSOR (2-CHANNEL): 0.136 mm / pulse (list from 1 channel)

CABLE SUPPLY LENGTH 1200 mm: connector 8-pole, cable outlet on the large profile on the side

DUTY CYCLE: 10% (S3) for periodic operation and max. load (2 min. ON / 18 min. OFF)

INSTALLATION POSITION: preferably pressing, others by arrangement

SYNCHRONOUS WORKING: up to max. 4 columns possible, lifting forces on request

LIGHTING SYSTEMS

Optionally also available as infinitely dimmable version.
Series connection possible via Wieland plug-in system.

»»» **LED-300**

Length 300 mm, 8W



»»» **LED-585**

Length 585 mm, 14W



»»» **LED-870**

Length 870 mm, 21W



»»» **LED-1150**

Length 1150 mm, 28W



»»» **LED-1435**

Length 1435 mm, 35W



»»» **LED-1735**

Length 1735 mm, 42W



ENERGY DISTRIBUTER

»»» SDL-04

4-fold socket strip
1.5 m plastic sheathed cable
H05W-F 3G 1.5 with safety plug



»»» SDL-06

6-fold socket strip
1.5 m plastic sheathed cable
H05W-F 3G 1.5 with safety plug



»»» SDL-10

10-fold socket strip
1.5 m plastic sheathed cable
H05W-F 3G 1.5 with safety plug



ENERGY

EXAMPLE PICTURES

EASYTUBE™

HARDWARE TOOLS



»»» PCT-3
Pipe cutter



»»» REG-1
Deburring tool



»»» TM-1
Tape measure 5 m



»»» IW-1
Impact wrench



»»» SAW-2
Band saw



»»» SAB-2
Saw blade



»»» AK-1
Allen key 5 mm

EXAMPLE PICTURES



PER3



EASYTUBE™

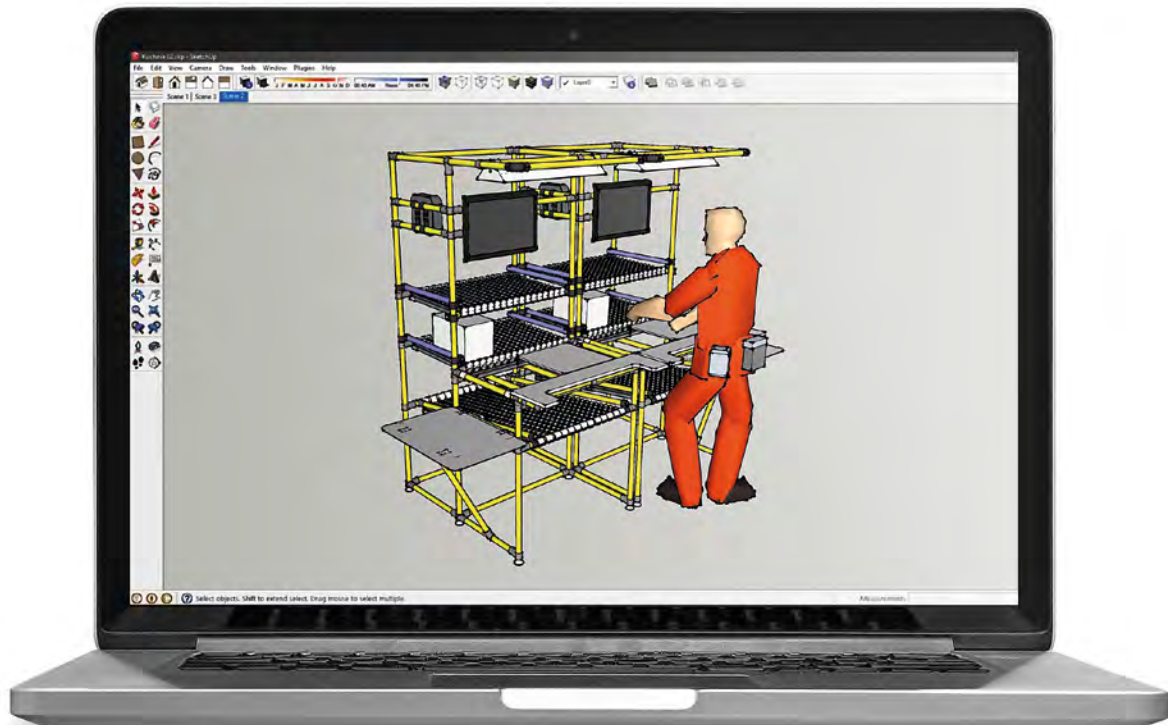
EASYTUBE™

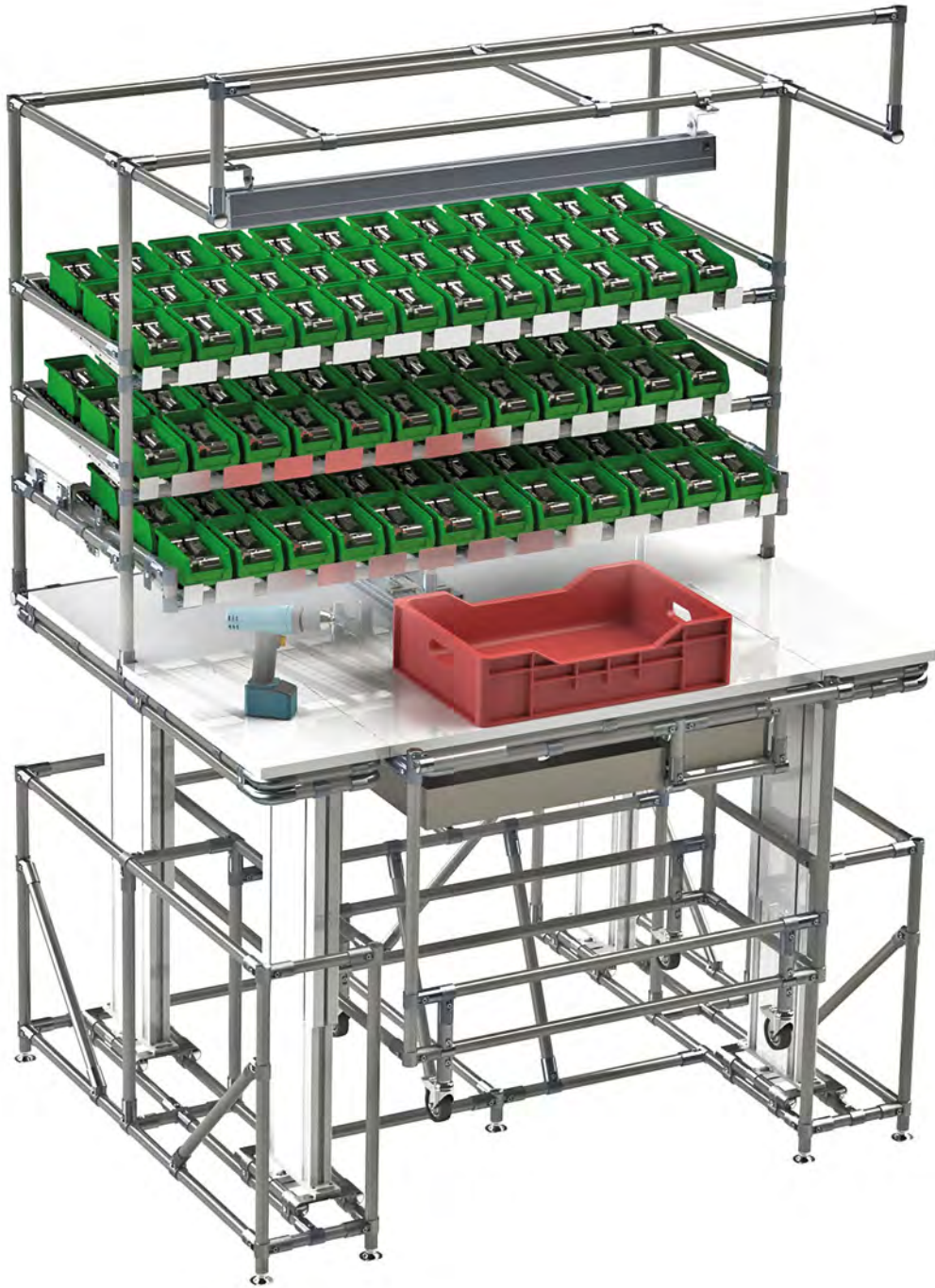
SOFTWARE TOOLS

Many customers have expressed the wish to design their structures in CAD form so that the identical racks can be built later to the same specification. In response to this, PEK3 has generated a complete **3D CAD library** of all parts in **Solid Works** and **SketchUp**.

PEK3 provides a **CAD library** in different formats depending on requirements. Please contact us for details. This enables various structures to be generated in CAD with exact measurements, the assemblies can be viewed from all angles.

On our website – easytube.pek3.com – we also provide a free of charge software tool for optimisation of cutting pipes and roller tracks. This enables customers to enter the number and dimensions of pipes required and to obtain a cutting list to reduce waste to a minimum.





EASYTUBE™

EASYTUBE™



OFFICE GERMANY

PEK3 GmbH
Hans-Urmiller-Ring 24
DE-82515 Wolfratshausen
Tel. +49 8171 4222-0
Fax +49 8171 4222-24
easytube.de@pek3.com

OFFICE HUNGARY

PEK3 ELECTRONIC Kft.
Gyömrői út. 150
HU-1103 Budapest
Tel. +36 1 4332585
Fax +36 1 4332594
easytube.hu@pek3.com

OFFICE MOROCCO

PEK3 SARL
Ilôt 14, Lot n°1 Zone Franche
d'Exportation Tanger
MA-90000 Tanger
Tel. +212 539 392769
easytube.ma@pek3.com

SALES OFFICE AND ASSEMBLY POLAND

PEK3 GmbH
Plonow 21 street
PL-41-200 Sosnowiec
Tel. +48 600 450 969
easytube.pl@pek3.com