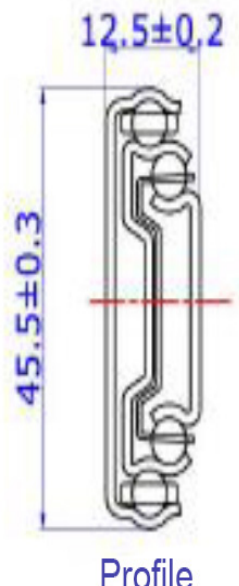




# SLIDE RAIL

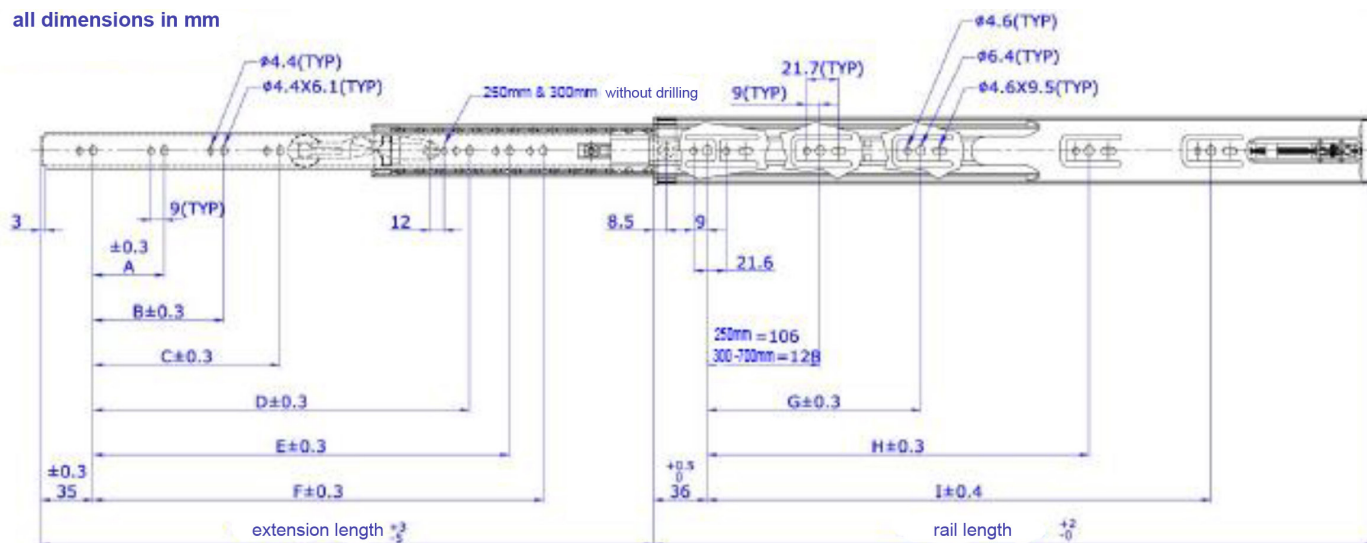
# EASYTUBE



Type of installation	Side mounting / horizontal mounting / floor mounting max. 35 % of the load capacity	 <p>12,5±0,2</p> <p>45,5±0,3</p> <p>Profile</p>
installation width	12,7mm + 0,8/0,0	
Installation height	45,5mm	
Material	cold-formed steel	
Load capacity	30kg	
available lengths	300mm, 350mm, 400mm	
Extension type	Full extension for lengths 300mm, 350mm, 400mm	
Surface	high-gloss galvanized surface	
Function	By pressing on the drawer front, the drawer opens by approx. 50-125 mm. No handle is required on the drawer.	

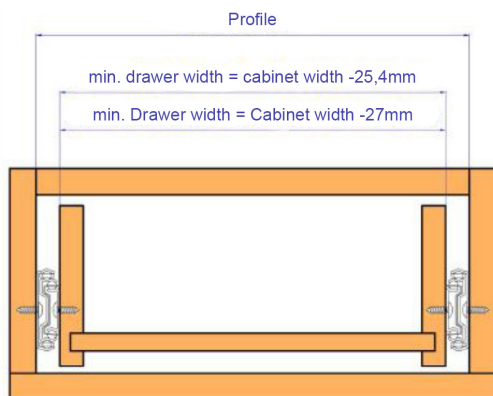
# EASYTUBE™ Slide Rail

all dimensions in mm



Article number	Length of rail	Pull-out length	Load capacity/kg
SR-300	300	305	30
SR-350	350	356	30
SR-400	400	406	30

## Mounting the telescopic slides in the profile



- Recommended clearance between drawer and body:
  - min. 12,7mm
  - max. 13,0mm
- Recommended maximum drawer width:
  - Extension length + 200mm
- Trigger travel for push-to-open 3-4mm
- Opening path approx. 50- 125mm



### OFFICE GERMANY

PEK3 GmbH  
 Hans-Urmiller-Ring 24 DE-82515 Wolfratshausen  
 Telefon +49 8171 4222-0  
 Telefax +49 8171 4222-24  
 easytube.de@pek3.com

### OFFICE HUNGARY

PEK3 ELECTRONIC Kft.  
 HU-1103 Budapest Gyömrői út. 150  
 Telefon +36 1 4332585  
 Telefax +36 1 4332594  
 easytube.hu@pek3.com

### OFFICE MOROCCO

PEK3 SARL  
 Ilôt 14, Lot n°1  
 Zone Franche d'Exportation Tanger  
 MA-90000 Tanger  
 Telefon +212 539 392769  
 easytube.ma@pek3.com